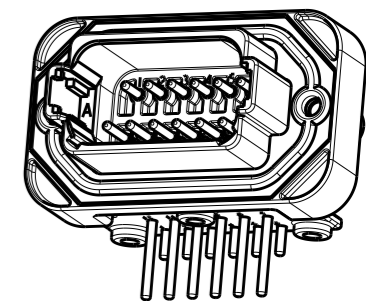
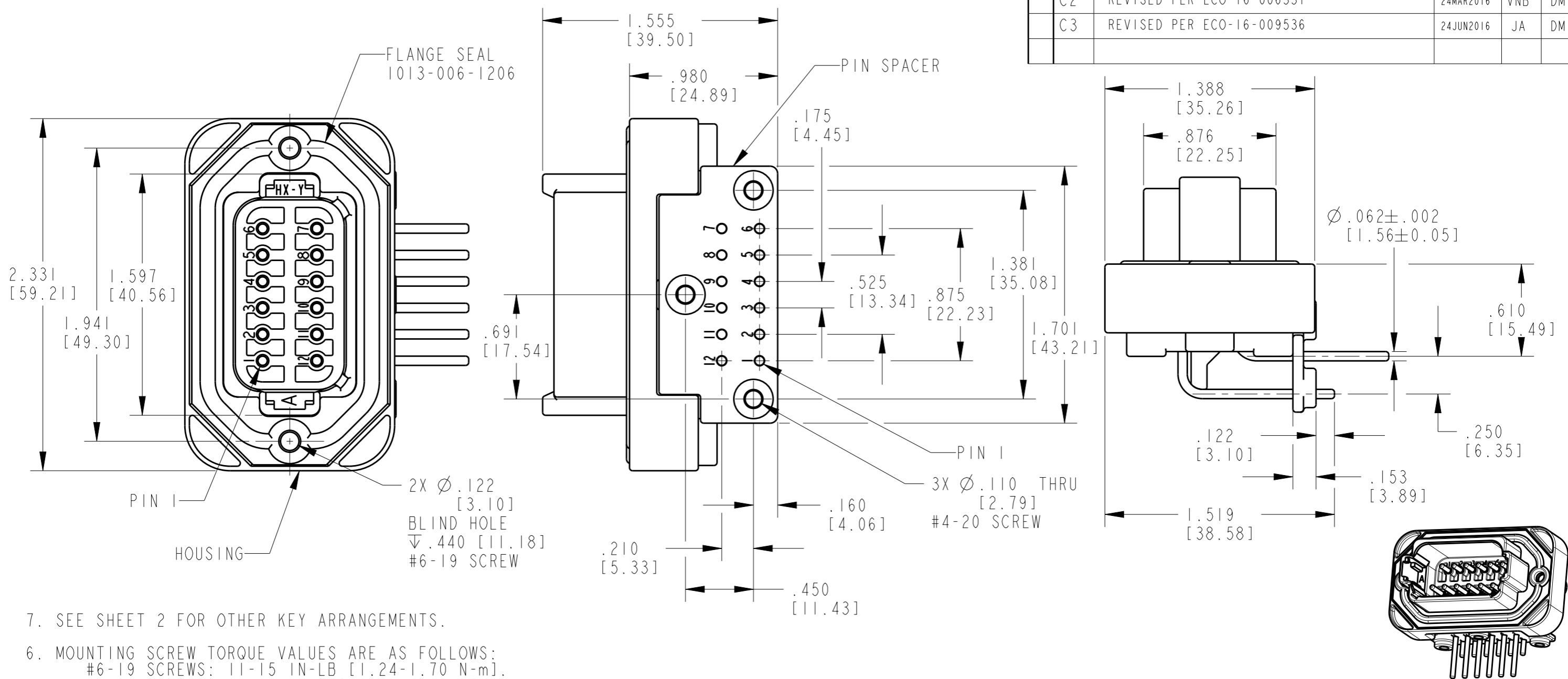


THIS DRAWING IS UNPUBLISHED  
 RELEASED FOR PUBLICATION  
 2016  
 © COPYRIGHT 2016 BY TE CONNECTIVITY ALL RIGHTS RESERVED.

LOC	DIST	P	LTR	DESCRIPTION	DATE	DWN	APVD
-	-		C1	REVISED PER ECO-14-010107	03JUL2014	JA	DM
			C2	REVISED PER ECO-16-006331	24MAR2016	VNB	DM
			C3	REVISED PER ECO-16-009536	24JUN2016	JA	DM



7. SEE SHEET 2 FOR OTHER KEY ARRANGEMENTS.
6. MOUNTING SCREW TORQUE VALUES ARE AS FOLLOWS:  
 #6-19 SCREWS: 11-15 IN-LB [1.24-1.70 N-m].  
 #4-20 SCREWS: 6-10 IN-LB [.68-1.13 N-m].  
 VALUES VALID FOR PLASTITE 48 SCREWS ONLY.
5. RECOMMENDED MOUNTING SCREWS (NOT INCLUDED): CAMCAR PLASTITE 48, SINGLE HELIX.
4. THIS RECEPTACLE MATES WITH DT06-12SX PLUG (X = A,B,C,D KEYS, XXXX = ALL MODIFICATIONS).
3. CONTACT PLATING - MATING SIDE: NICKEL; PCB SIDE: TIN

TE INTERNAL PN	DEUTSCH PN
DT13-12PA	DT13-12PA
DT13-12PB	DT13-12PB
DT13-12PC	DT13-12PC
DT13-12PD	DT13-12PD

- 2 MATERIALS:  
 HOUSING/PIN SPACER: PA46 GF30 (SEE SHEET 2 FOR COLORS)  
 FLANGE SEAL: VMO (RED-ORANGE)  
 PIN CONTACTS: COPPER ALLOY
- 1 DIMENSION TOLERANCE: ±.025 [.64]  
 PANEL CUTOUT: ±.010 [.25]  
 PIN LOCATIONS: ±.005 [.13]  
 MOUNTING HOLE LOCATIONS: ±.010 [.13]

THIS DRAWING IS A CONTROLLED DOCUMENT.

DWN P. BURKE 06JUN2001  
 CHK KEVIN MCKEE 03JUL2014  
 APVD DAVID MEYER 03JUL2014

TE Connectivity

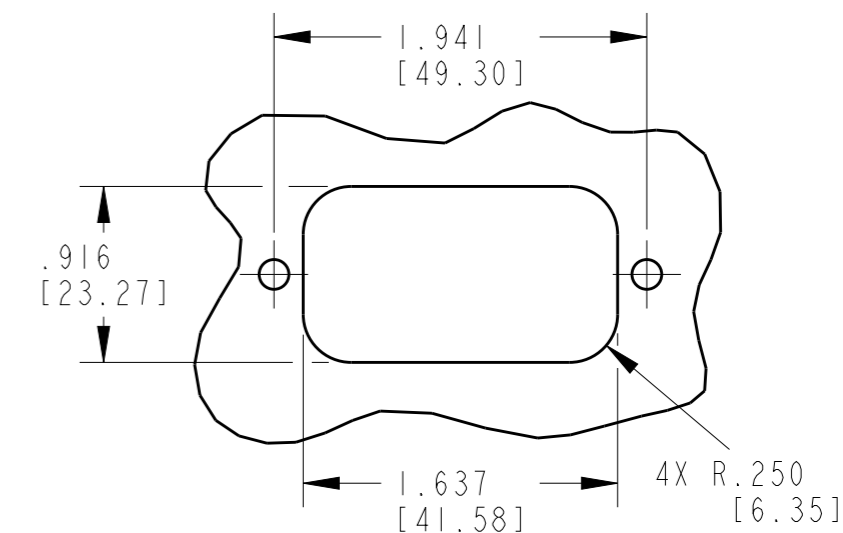
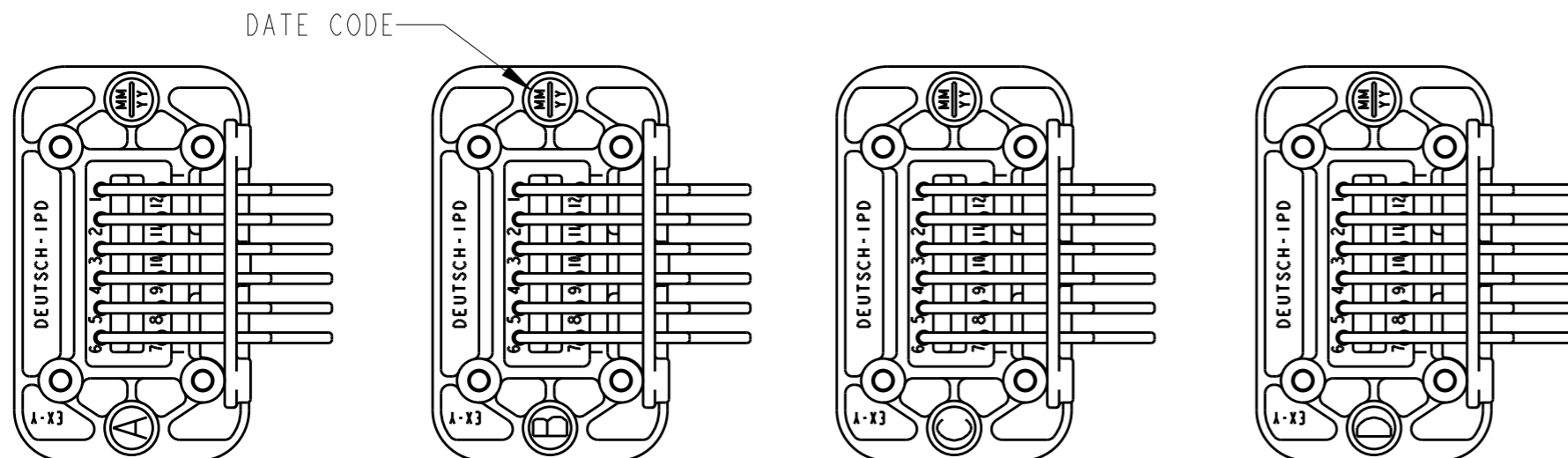
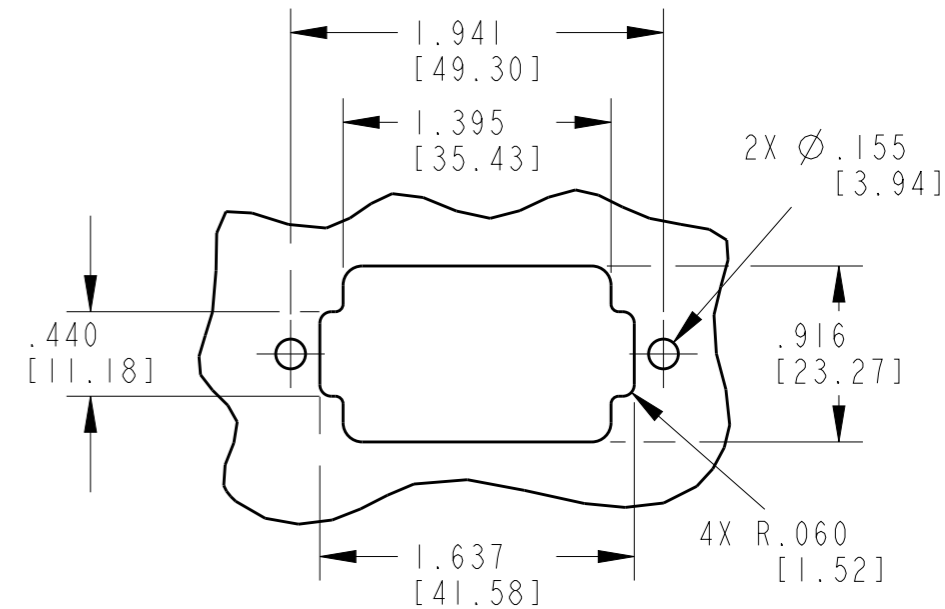
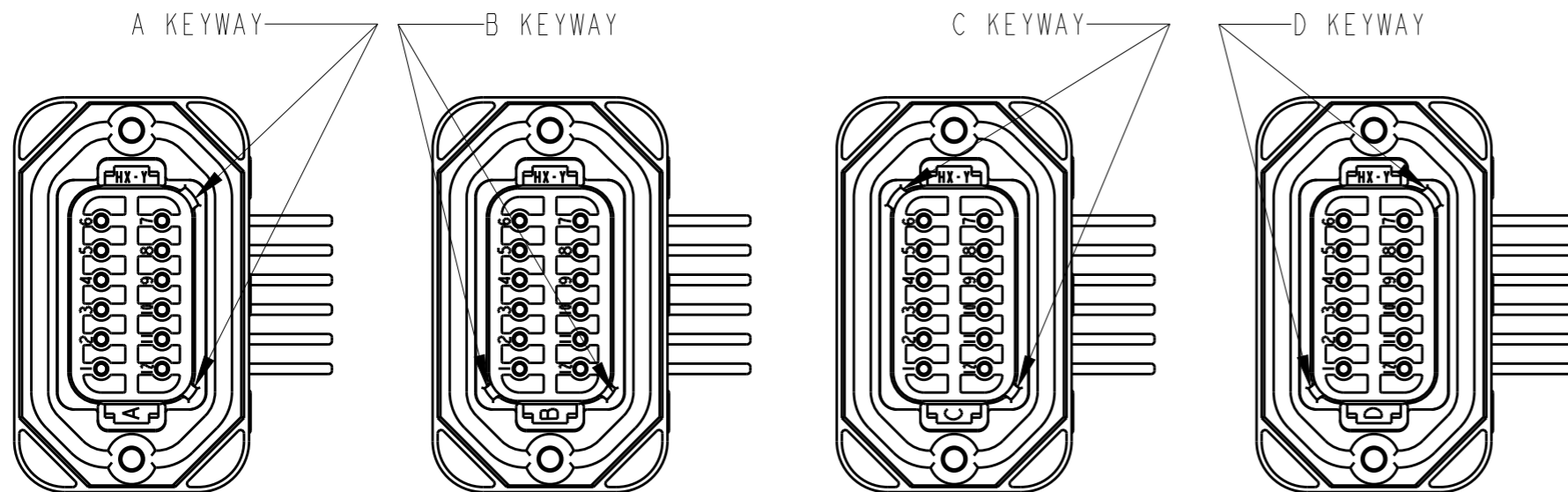
NAME RECEPTACLE HEADER  
 12 PIN 90 DEG  
 DT SERIES

PRODUCT SPEC -  
 APPLICATION SPEC -  
 WEIGHT 41g±10%

SIZE A3 CAGE CODE 4AFU8 DRAWING NO. DT13-12PX RESTRICTED TO -

CUSTOMER DRAWING SCALE 3:2 SHEET 1 OF 2 REV C3

LOC		DIST		REVISIONS				
P	LTR	DESCRIPTION			DATE	DWN	APVD	
	-	SEE SHEET 1			-	-	-	



**DT13-12PA**  
**COLOR GREY**

**DT13-12PB**  
**COLOR BLACK**

**DT13-12PC**  
**COLOR GREEN**

**DT13-12PD**  
**COLOR BROWN**

**RECOMMENDED PANEL CUTOUTS**

THIS DRAWING IS A CONTROLLED DOCUMENT.		DWN P. BURKE 06 JUN 2001																	
DIMENSIONS: INCHES [mm]		CHK KEVIN MCKEE 03 JUL 2014																	
TOLERANCES UNLESS OTHERWISE SPECIFIED:		APVD DAVID MEYER 03 JUL 2014	NAME RECEPTACLE HEADER 12 PIN 90 DEG DT SERIES																
<table border="0"> <tr> <td>0 PLC</td> <td>±</td> <td rowspan="4"> </td> </tr> <tr> <td>1 PLC</td> <td>±</td> </tr> <tr> <td>2 PLC</td> <td>±</td> </tr> <tr> <td>3 PLC</td> <td>±</td> </tr> <tr> <td>4 PLC</td> <td>±</td> <td></td> </tr> <tr> <td>ANGLES</td> <td>±</td> <td>±0°30'0"</td> </tr> </table>		0 PLC	±		1 PLC	±	2 PLC	±	3 PLC	±	4 PLC	±		ANGLES	±	±0°30'0"	PRODUCT SPEC	RESTRICTED TO	
0 PLC	±																		
1 PLC	±																		
2 PLC	±																		
3 PLC	±																		
4 PLC	±																		
ANGLES	±	±0°30'0"																	
MATERIAL		APPLICATION SPEC	SIZE A3	CAGE CODE 4AFU8	DRAWING NO DT13-12PX														
FINISH		WEIGHT 41g ± 10%	SCALE 1:1		SHEET 2 OF 2														
<table border="0"> <tr> <td> </td> <td></td> </tr> </table>				CUSTOMER DRAWING	REV C3														